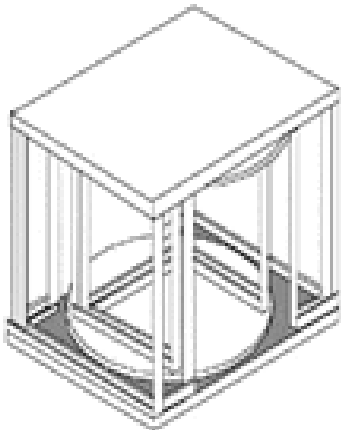


Turnstile Package Receiver USTPR



This full vision unit allows installation through glazing panels without obstructing line of sight. Revolving inner package passer rotates from side to side, allowing packages to be passed through enclosure without a security breach.

- Wide range of sizes and laminate colors available
- Delivered assembled and ready for installation
- UL Listed bullet resisting materials
- Can be manufactured with multiple turnstiles
- Full vision through passer



WIDTH	DEPTH	HEIGHT
24"	20"	18"
24"	20"	24"