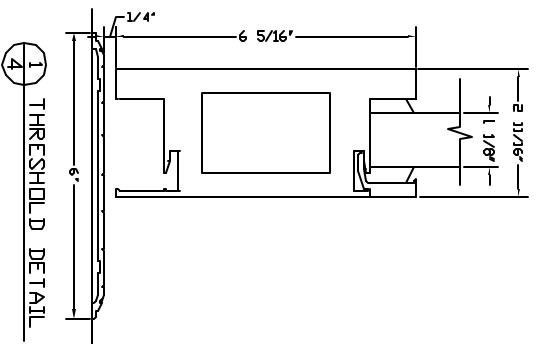
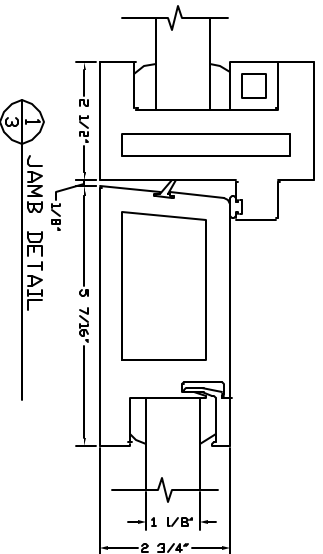


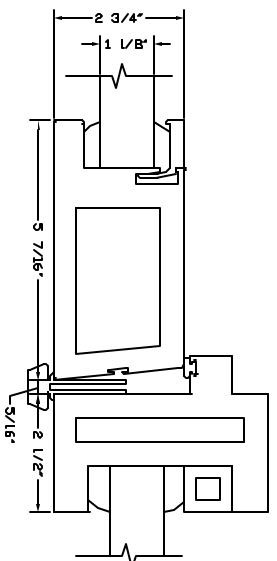
1-2 HEAD DETAIL



1-4 THRESHOLD DETAIL



1-3 JAMB DETAIL



1-5 HINGE DETAIL

PROPRIETARY MATERIAL

UNITED STATES BULLET PROOFING

1-801-563-8328

CUSTOMER: N/A
 CONTRACT: N/A
 DATE: N/A
 SCALE: 1/2"
 DRAWN BY: BT
 CHECKED BY: N/A
 FILENAME: USA01000_001.DWG

REVISIONS:

PROJECT/DRAWING

USB MODEL: USA01000
 DOS CODE: N/A
 SHW BRDUP: N/A
 FINISH: N/A
 VISION TYPE: N/A

DOOR OPENING FRAME SIZE: DOOR OPENING
 ROUGH OPENING CONCRETE OPENING: DOOR OPENING
 VISION OPENING SIMILAR TYPICAL: DOOR OPENING
 CAP COVER DIMENSION: DOOR OPENING



U.S. BULLETPROOFING, INC.
 4925 LAMAR STREET
 HYATTSVILLE, MD 20781
 PHONE: 301-454-0155
 FAX: 301-454-0189

